

## Technical Information Sheet

### Part No. VS-0-172-30

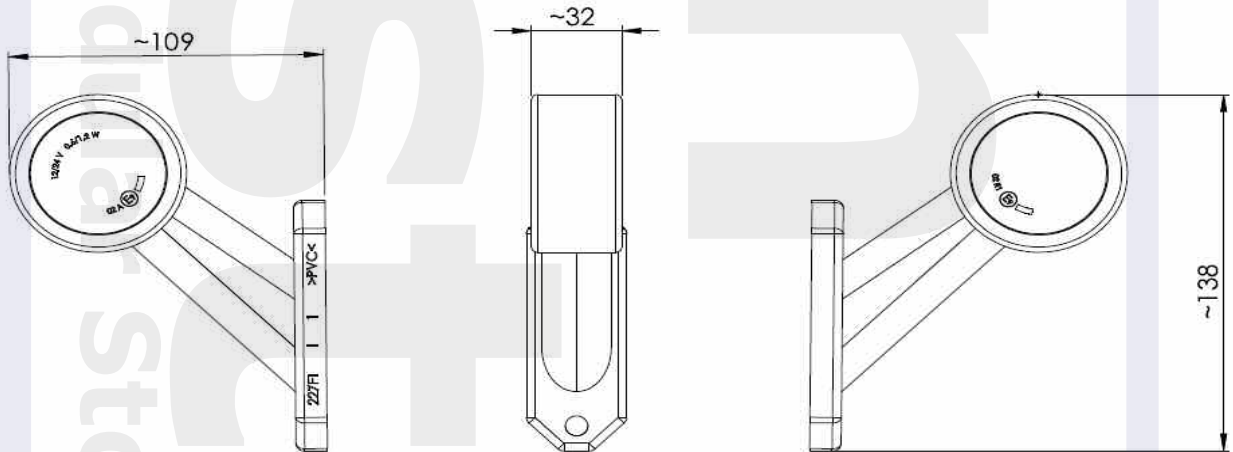
Red and white LED outline marker lamp, 12/24 volt with arbitrary polarity, Right Side.  
E Marked.

#### Additional Information:

Bolt Hole Measurements: 76mm Across



#### Technical Drawing (not to scale)



#### Specification

Type	Red and white LED outline marker
Voltage	12/24V
Wattage	0.6W @ 12V, 1.2W @ 24V
Flying leads	50cm twin core
Material	Arm - PVC, Lens - PMMA, Reflector - PC (Aluminium Coated)
Dimensions	As above
IP Rating	IP68
Operating Temperature	-20 to +40 Degrees
Certifications	E Marked